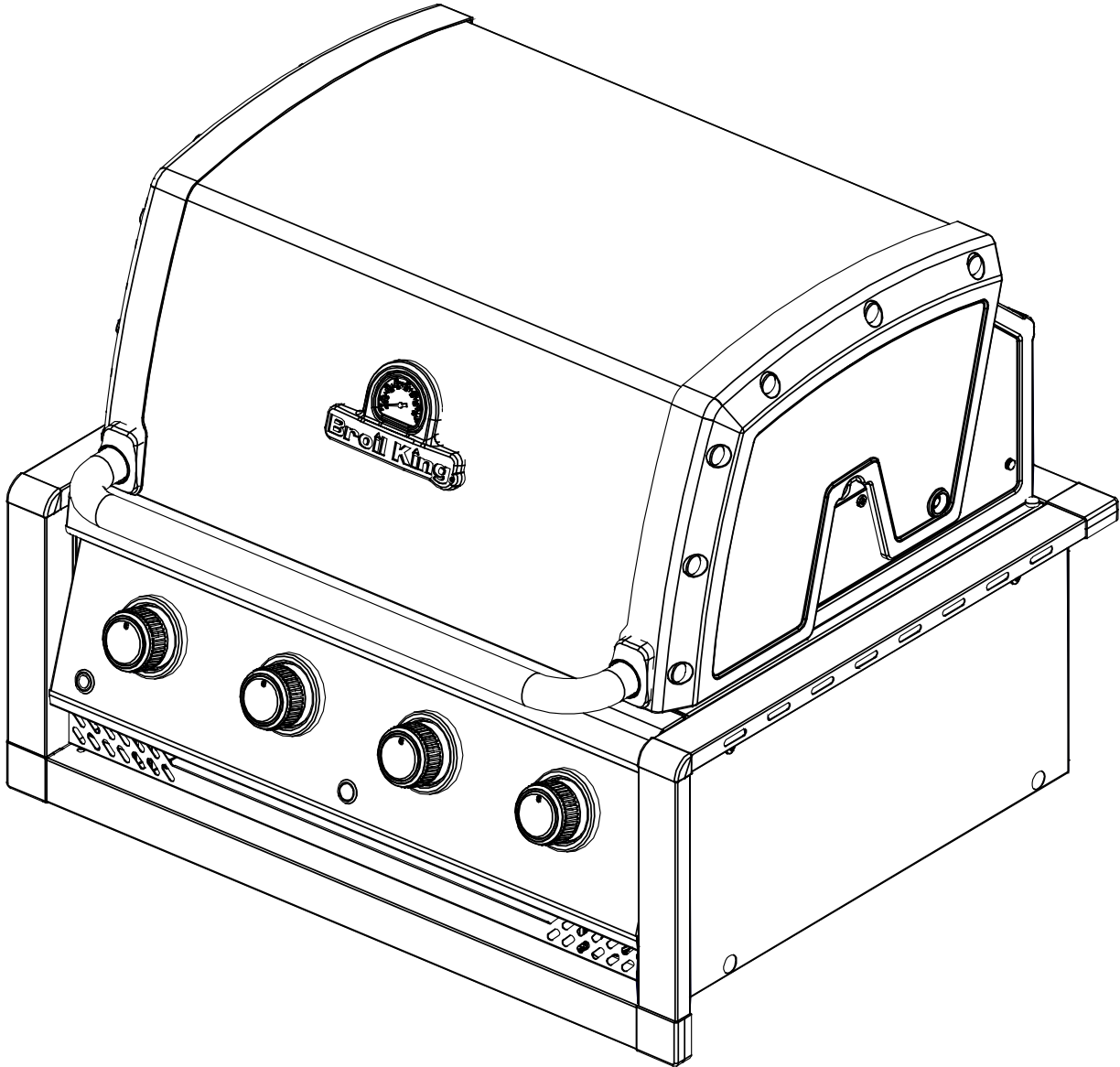


# Broil King®

---

---



**Broil King**

8856-52

8856-53

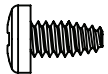
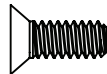
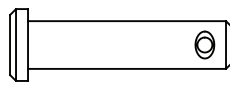
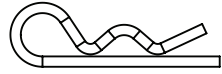
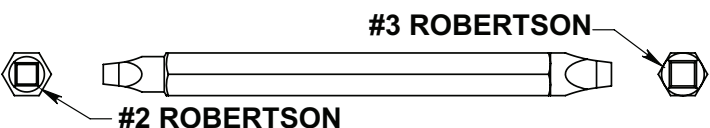
---

---

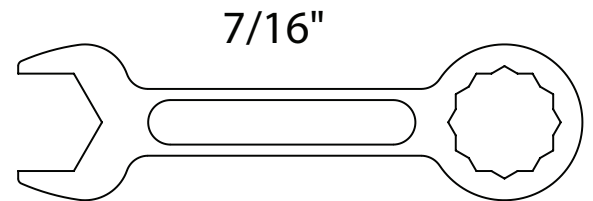
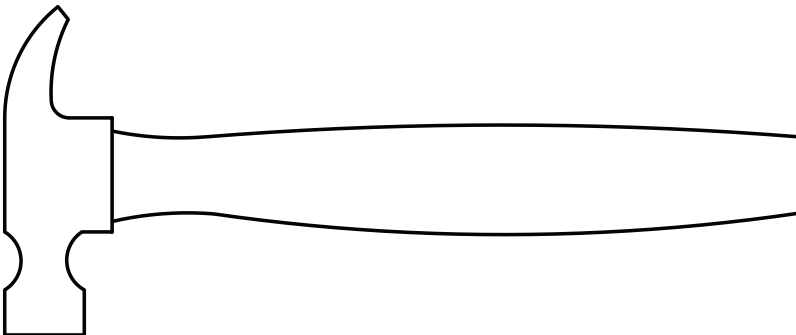
*Onward*  
MANUFACTURING COMPANY  
SINCE 1906  
585 KUMPF DRIVE LIMITED  
WATERLOO, ONTARIO, CANADA  
N2V 1K3

70084-E71EU REV A 1117

HARDWARE INCLUDED / MATERIAL INCLUS / EQUIPOS INCLUIDO

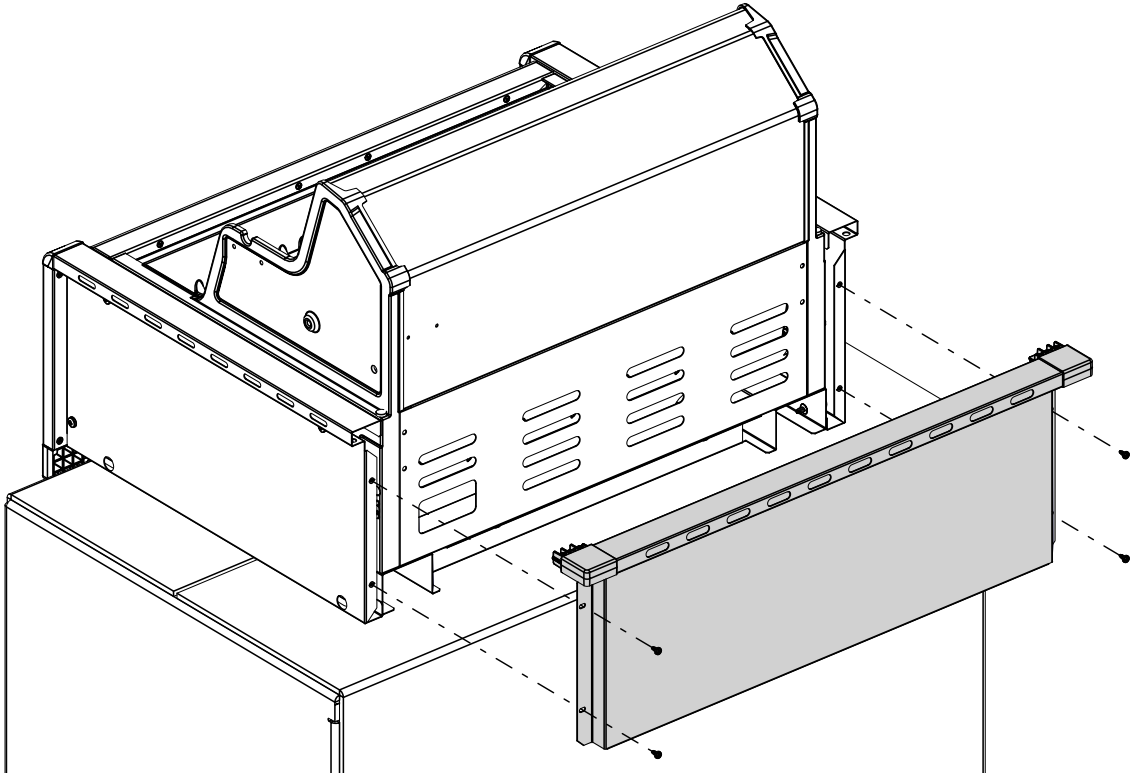
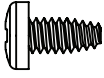
Y-29304		X4	Y-29301		X2
S21235		X2	S21233		X2
 <p>#3 ROBERTSON</p> <p>#2 ROBERTSON</p>					

TOOLS REQUIRED / OUTILS NECESSAIRES / HERRAMIENTAS NECESARIAS



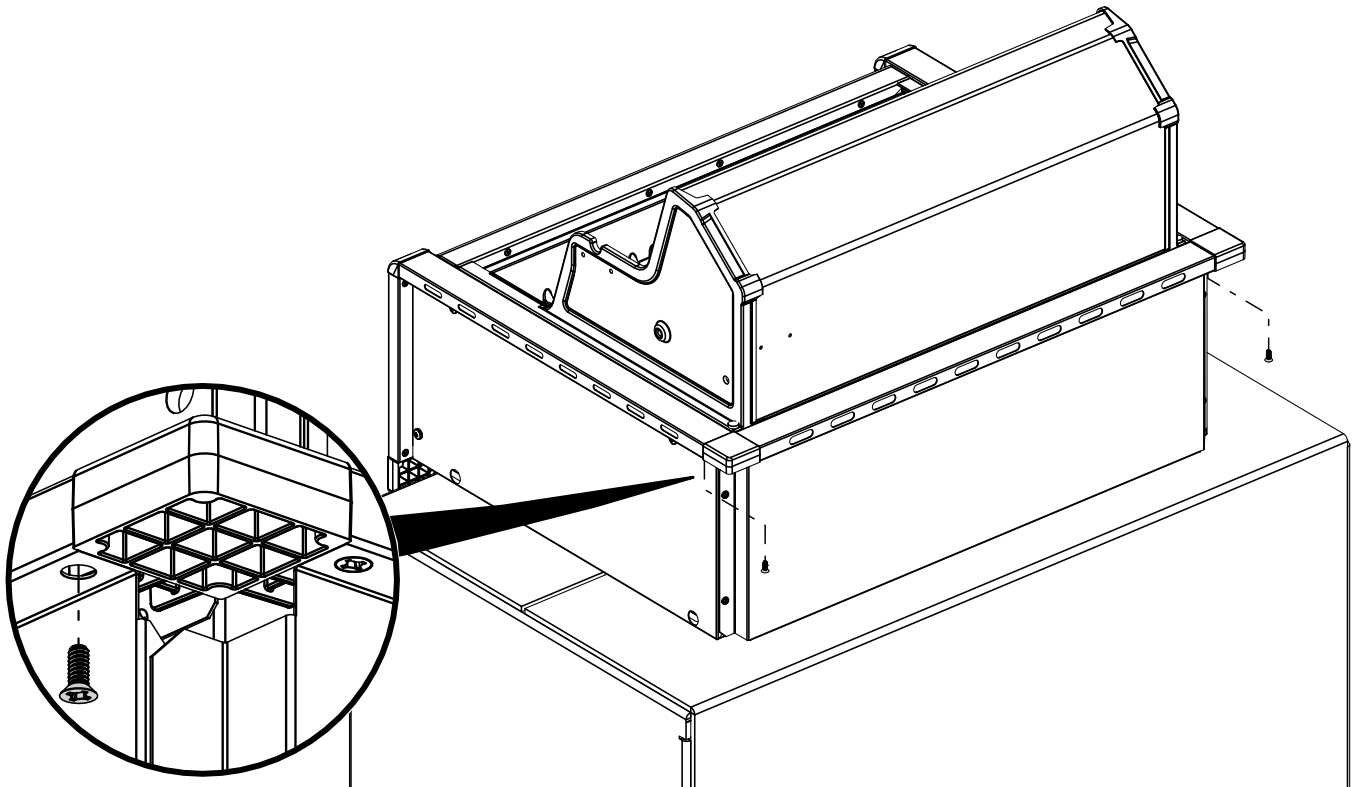
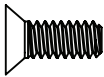
1

(4)

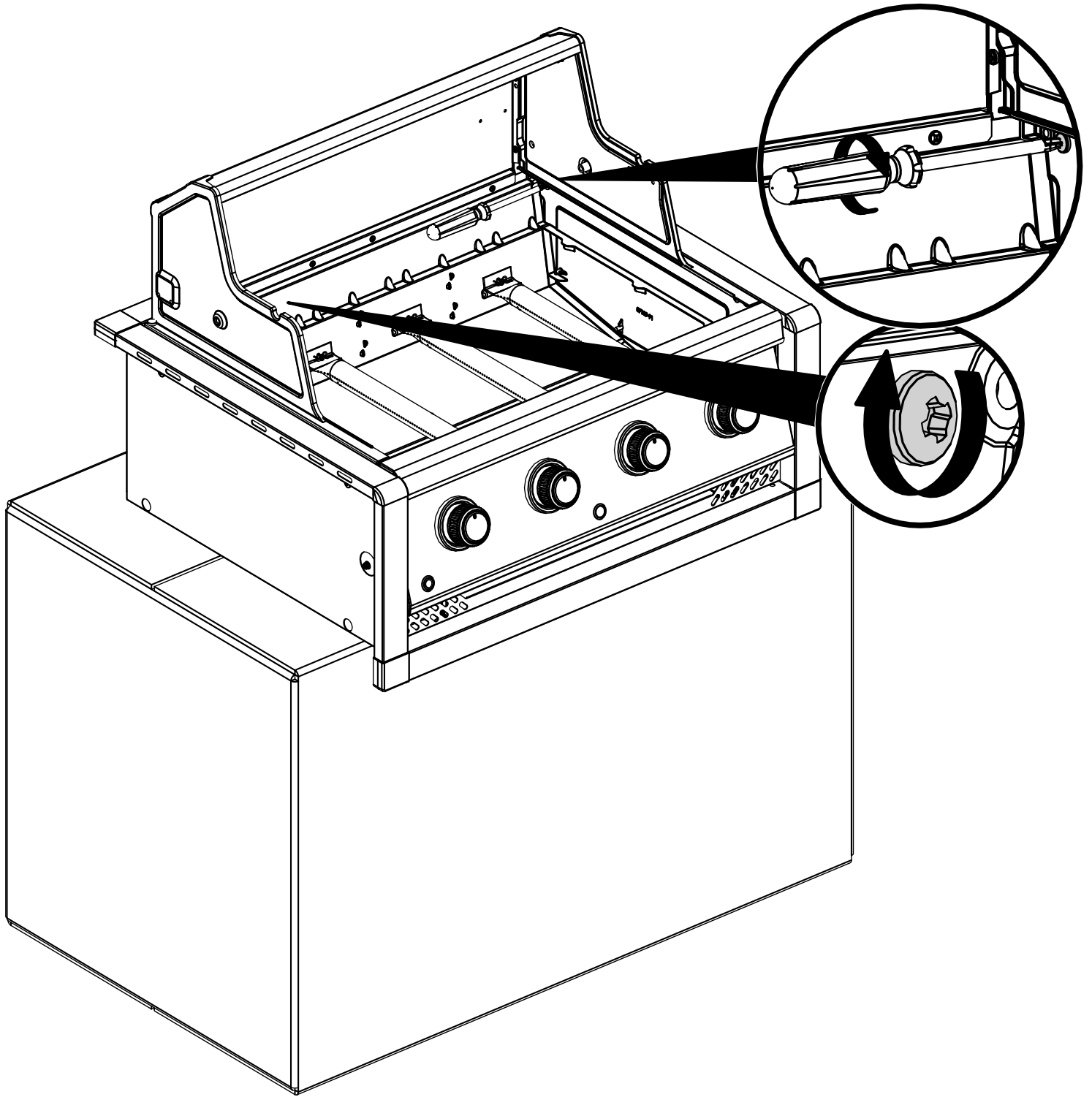


2

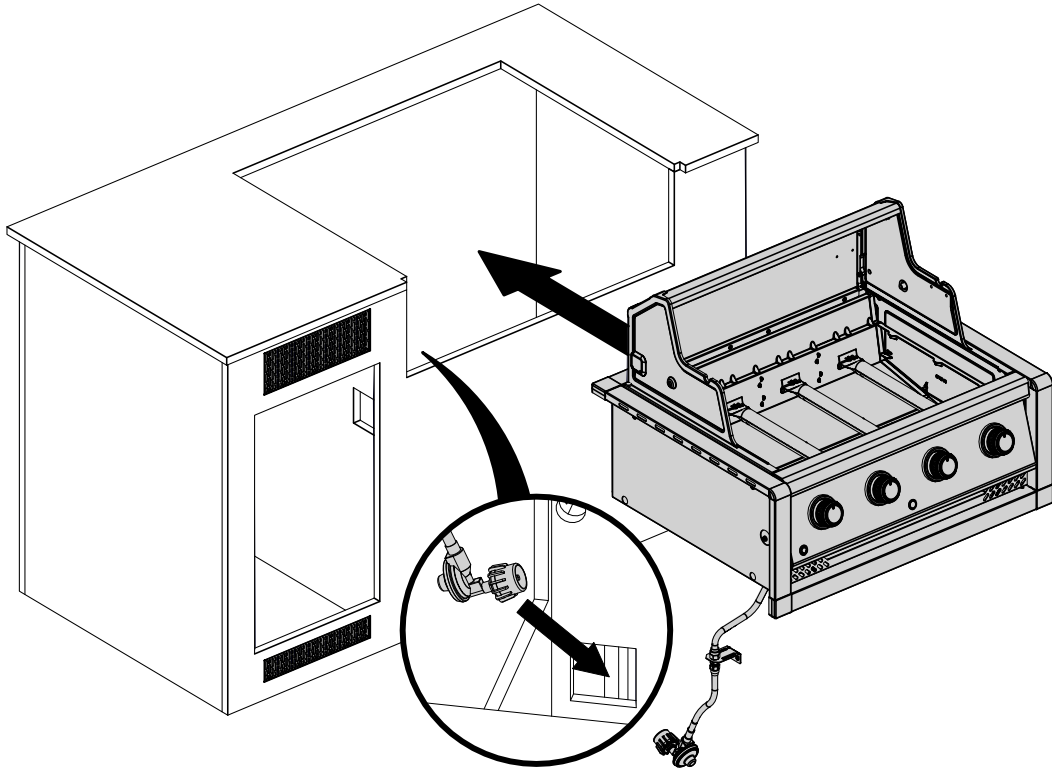
(2)



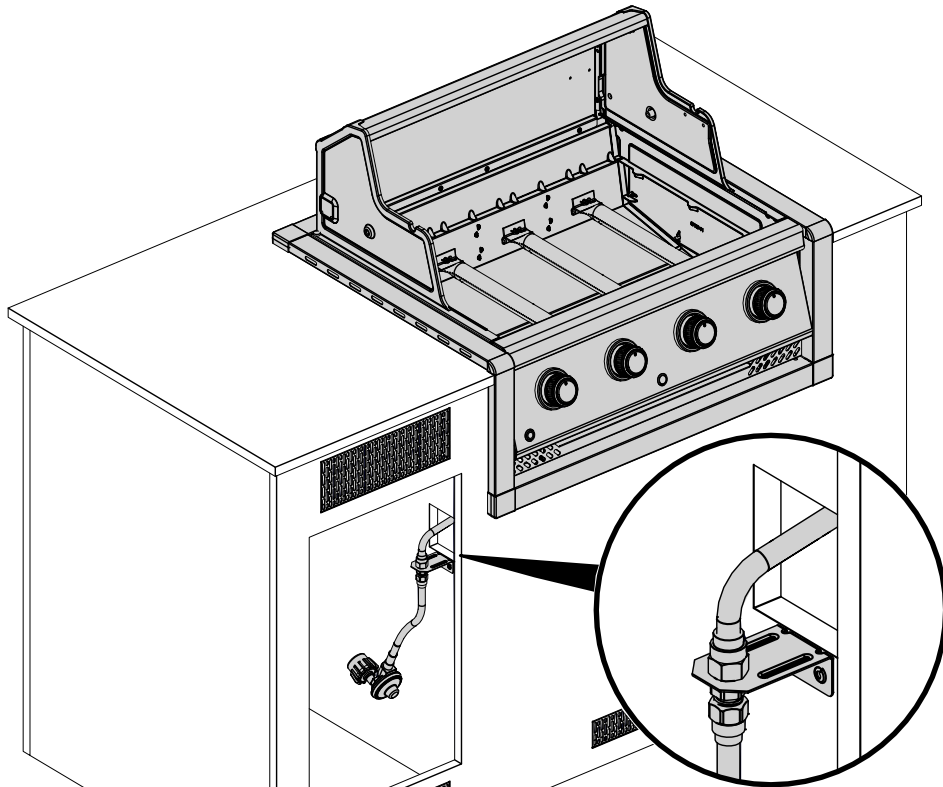
3



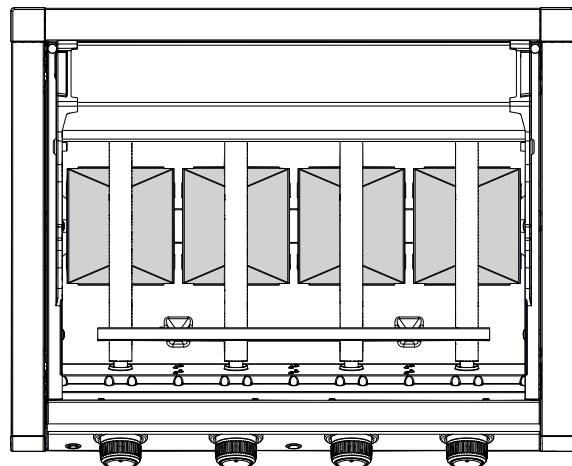
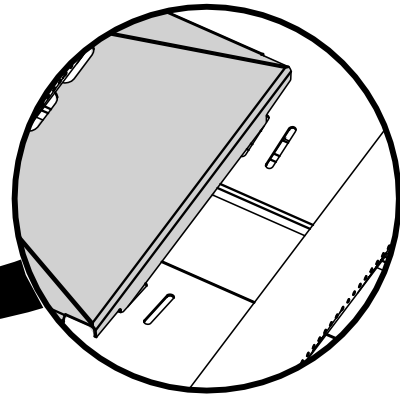
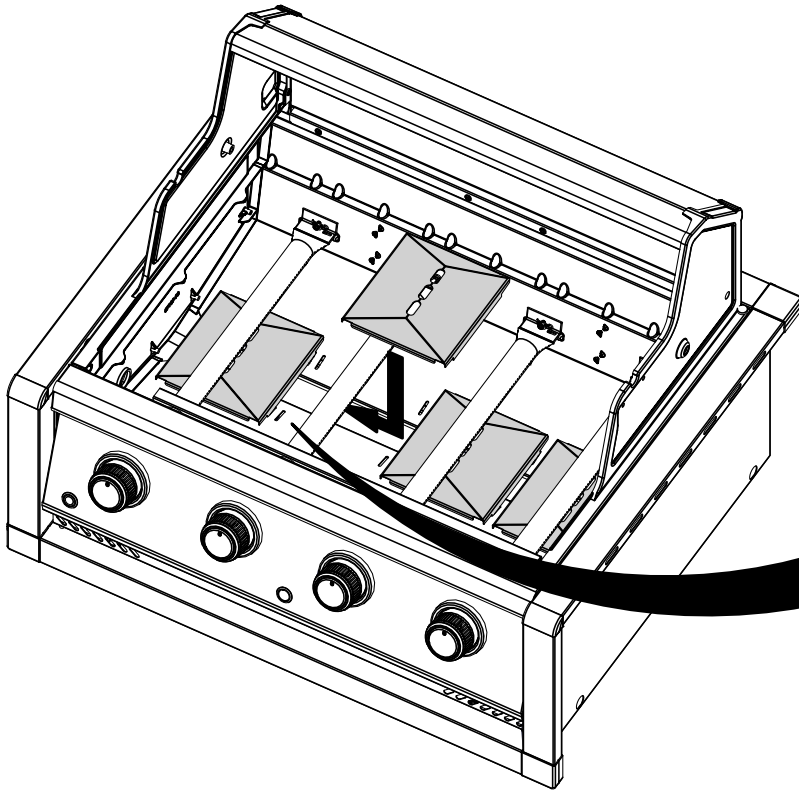
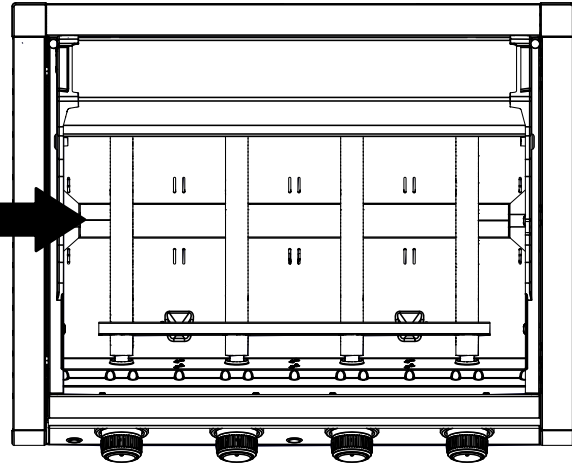
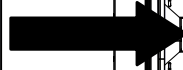
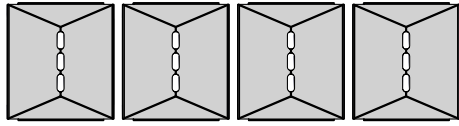
4



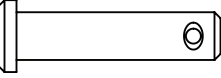
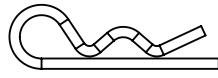
5

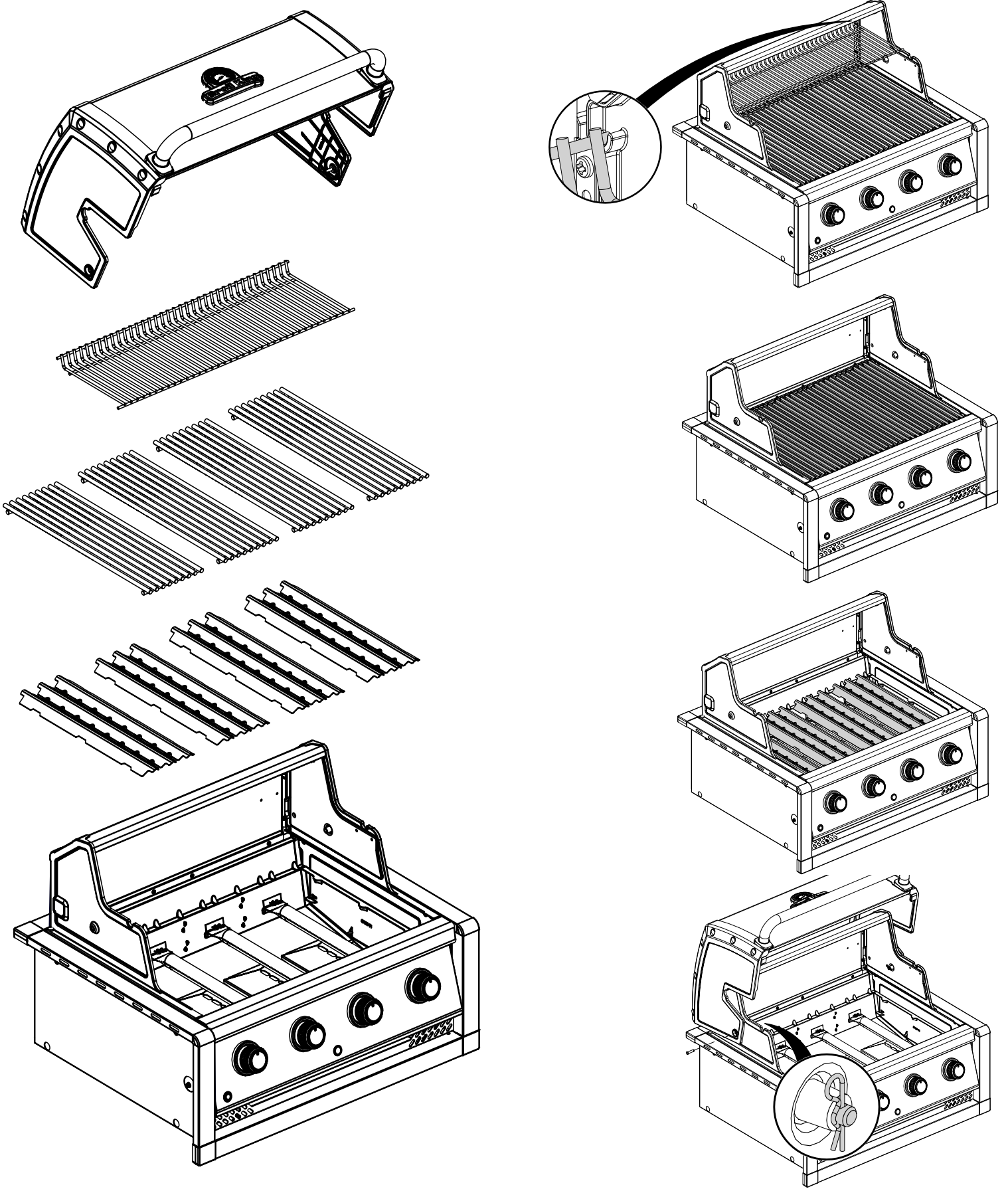


6

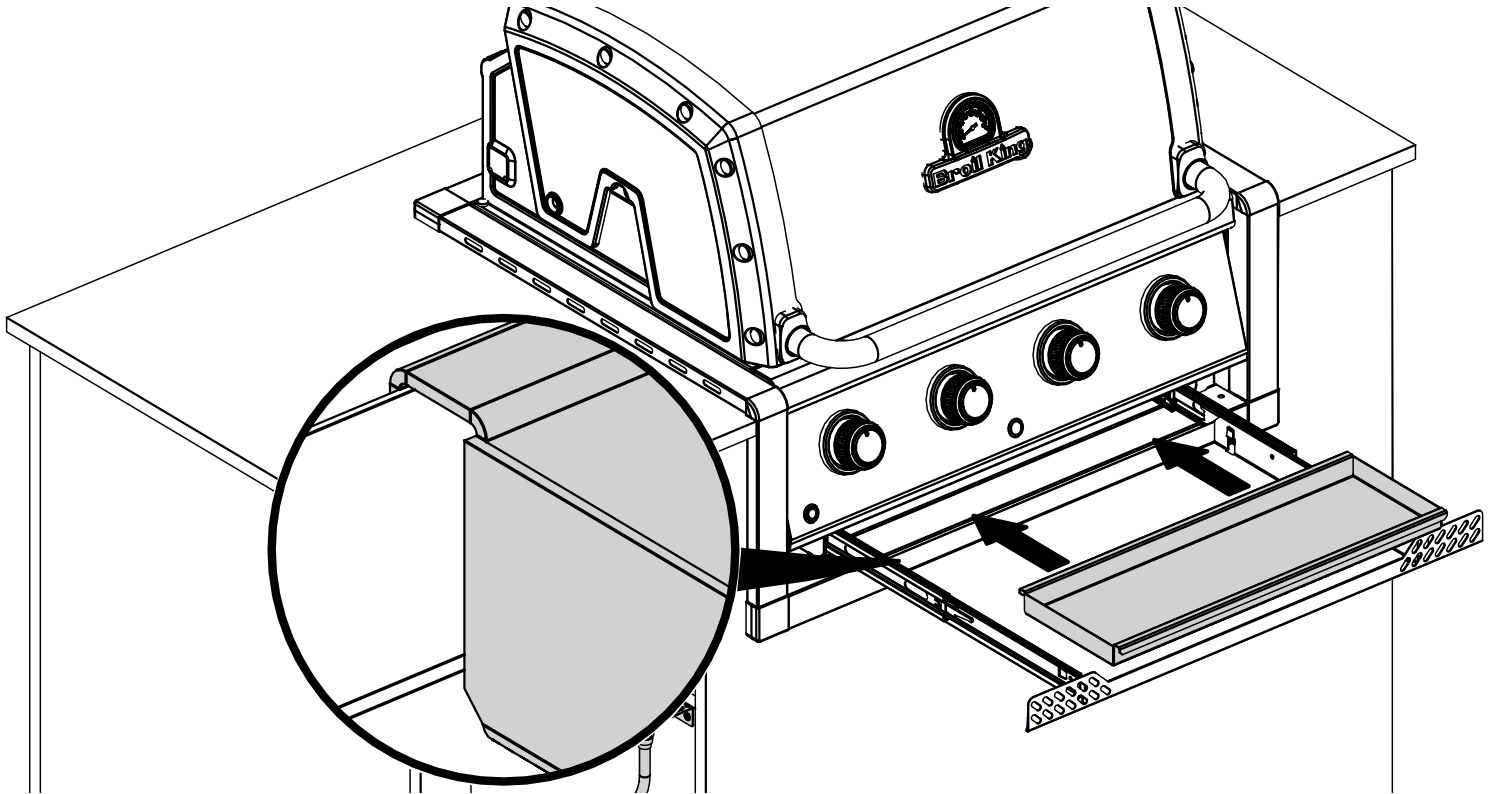


# 7

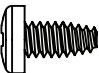
(2)  (2) 

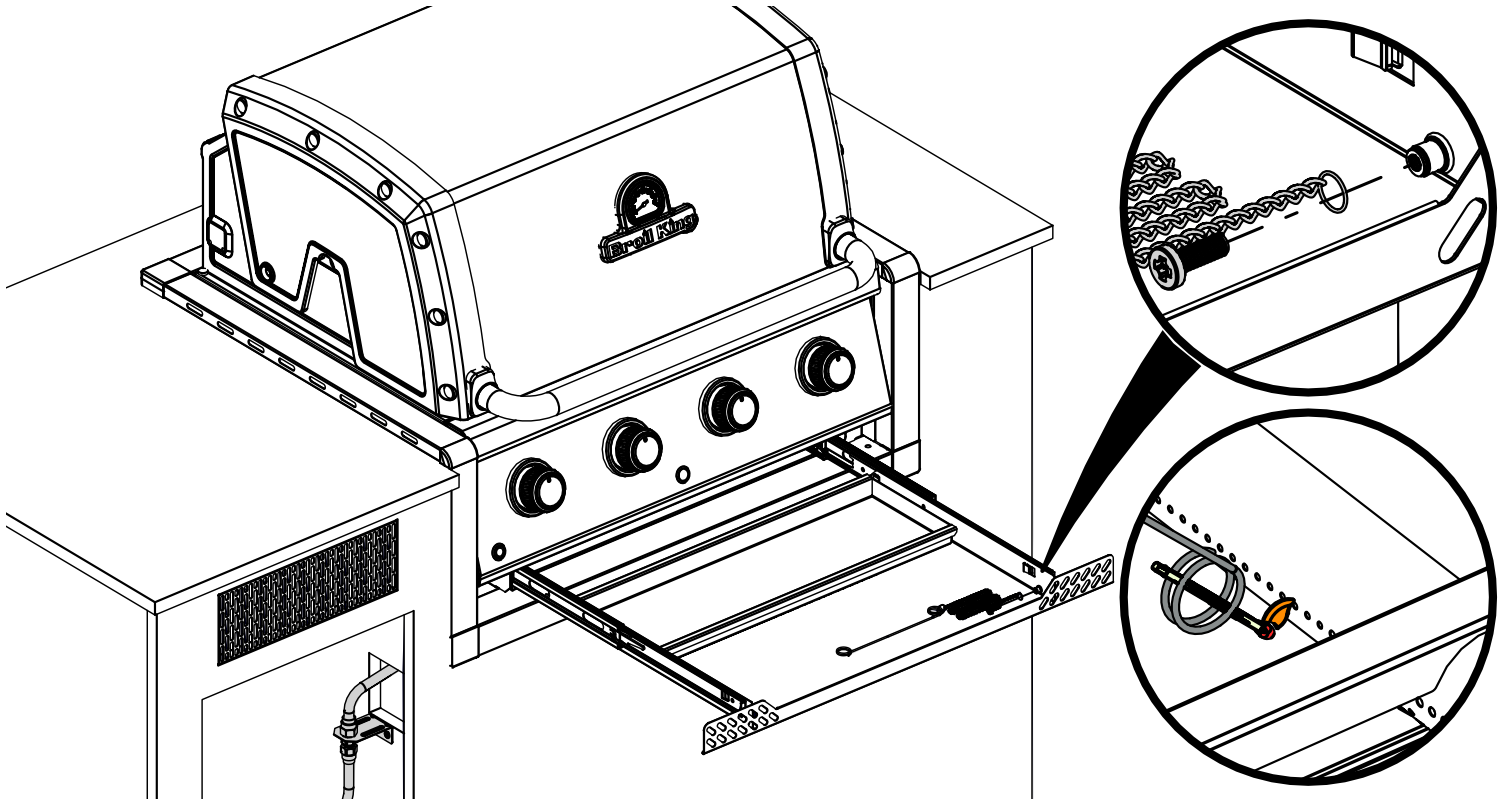


8



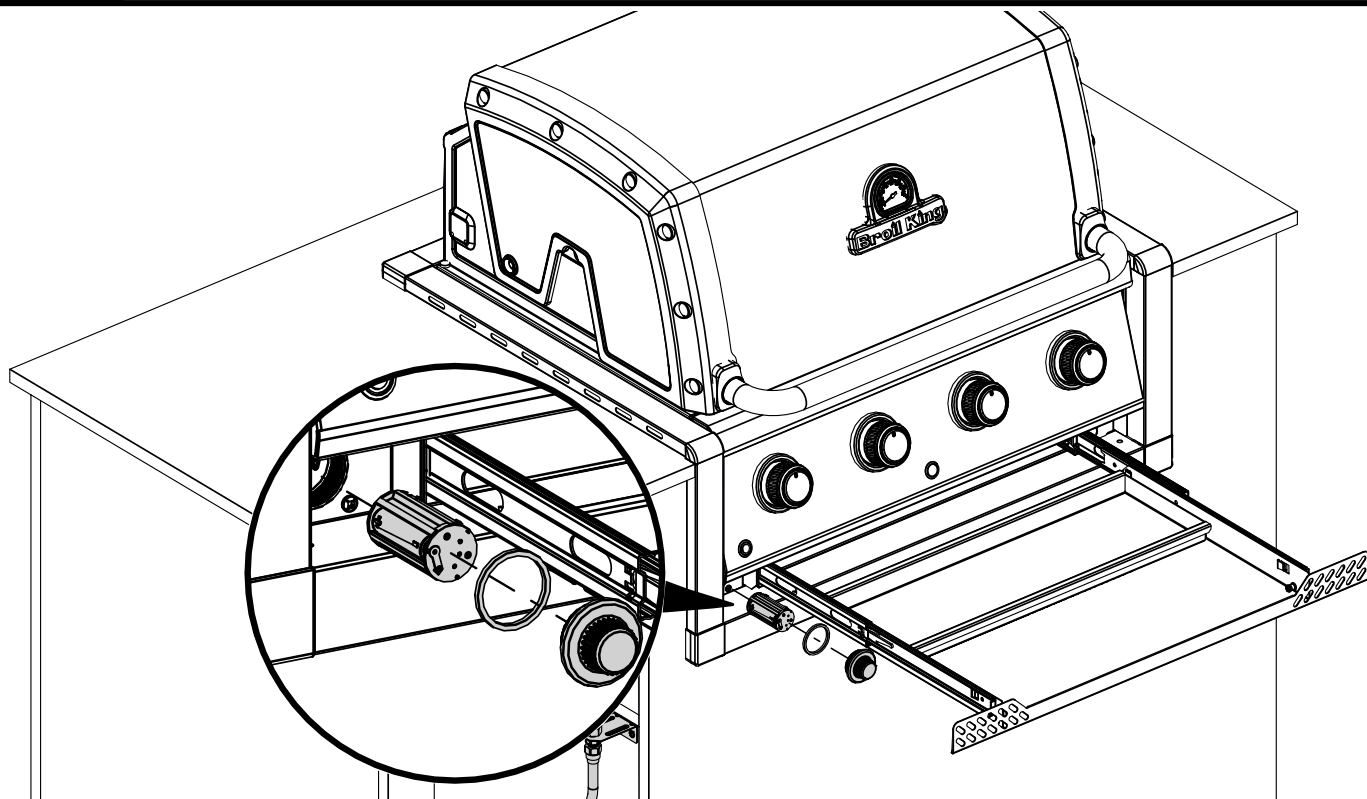
9

(1)  (1)

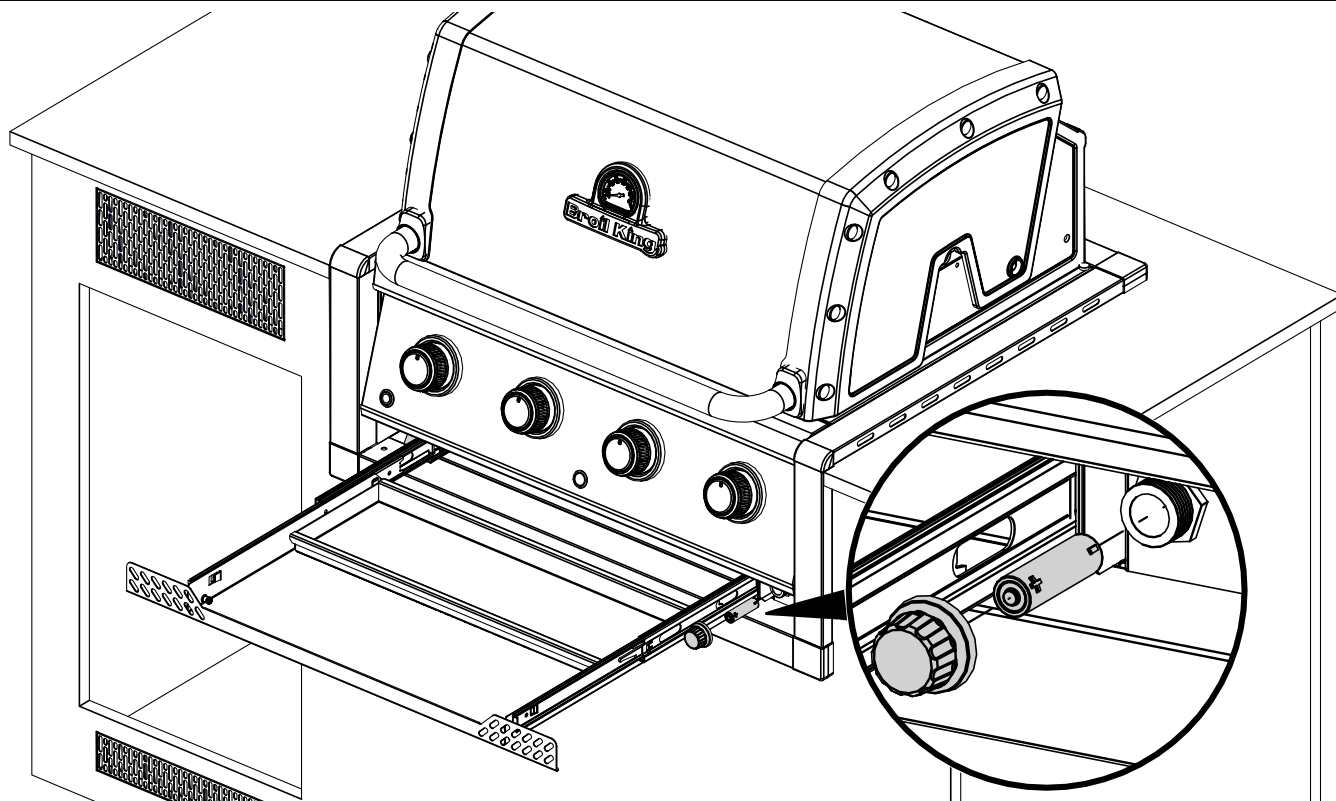


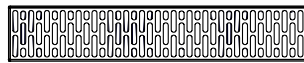
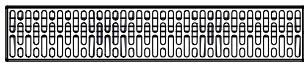
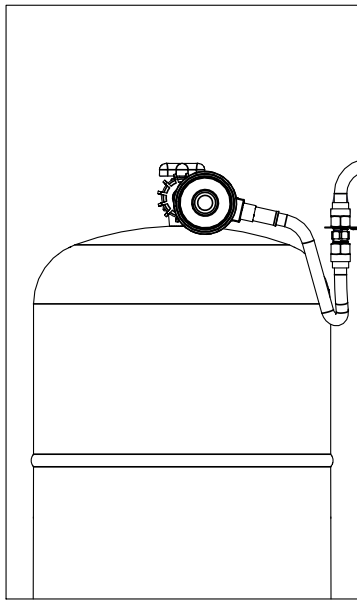
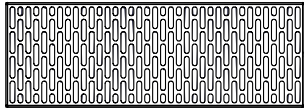
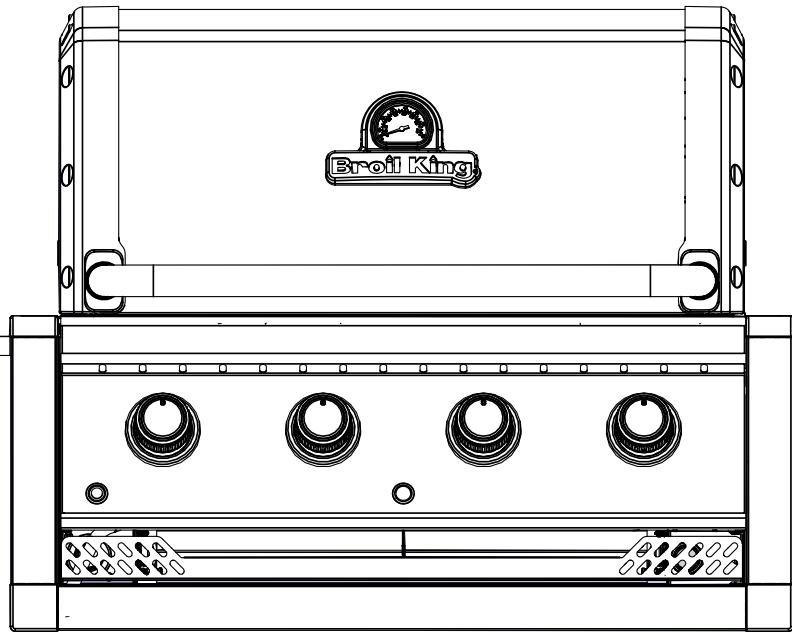


# 10



# 11





**PARTS LIST**

<u>KEY #</u>	<u>ITEM #</u>	<u>DESCRIPTION</u>	<u>8856-52</u>	<u>8856-53</u>
1	77005-004	FIRE BOX ASSEMBLY	1	1
2	86005-301	LID ASSEMBLY	1	1
5	27249-904	GREASE SHIELD	4	4
7	Y-11544	BURNER SCREW	4	4
8	S21242	BURNER CLIP	4	4
18	22005-281	COOKING GRID	4	4
20	22005-991	GRID - WARMING RACK	1	1
22	22225-014A	COLLECTOR BOX	1	1
25	22909-104D	BURNER	4	•
	22909-104E	BURNER	•	4
26	22001-769	CONTROL KNOB	4	4
27	22002-264	CONTROL BEZEL	4	4
28	22005-814	CONTROL COVER	1	1
32	10111-15A	PIG TAIL HOSE ASSEMBLY	2	2
35	79005-012	CONTROL ASSEMBLY	1	•
	79005-013	CONTROL ASSEMBLY	•	1
41	71039-904	BATTERY BRACKET	1	1
43	10342-E22	ELECTRODE	1	1
43A	10342-E13	ELECTRODE	1	1
44	10342-42	ELECTRONIC IGNITOR	1	1
44A	25070-925	IGNITOR WIRE	1	1
44B	25070-93	IGNITOR BUTTON	1	1
45	72039-904	IGNITOR BRACKET	1	1
46	72049-604	IGNITOR SHIELD	1	1
47	71209-034	TRIM FRONT SIDE	2	2
48	71055-004	GREASE PAN	1	1
49	71065-004RA	DRAWER	1	1
51	22209-904	FLAV-R-WAVE®	4	4
56	24005-12A	HANDLE	1	1
58	24009-936	HANDLE STANDOFF	2	2
59	10081-BK630	NAMEPLATE	1	1
60	10571-6	HEAT INDICATOR	1	1
65	25005-000	MATCH LIGHT	1	1
74	Y-99101	DRAWER SLIDE	2	2

**PARTS LIST**

<u>KEY #</u>	<u>ITEM #</u>	<u>DESCRIPTION</u>	<u>8856-52</u>	<u>8856-53</u>
80	71109-034R	TRIM SIDE - LH	1	1
81	71109-044R	TRIM SIDE - RH	1	1
84	70205-014	TRIM FRONT	1	1
88	71305-024	TRIM REAR	1	1
90	71625-004	BASE	1	1
101	Y-12130	CORNER CAP - 90 DEGREE	4	4
102	Y-12131	CORNER CAP	2	2
141	Y-11559	SCREW - 1/4-20 X 3/4	2	2
145	S21235	HINGE PIN	2	2
146	S21233	HITCH PIN CLIP	2	2
147	Y-11236	LID BUMPER	2	2
155	S21124	SCREW #8 X 1/2	6	6
159	S21136	SCREW - #8-32 X 3/8	8	8
161	Y-29304	SCREW - #10-24 X 3/8	12	12
167	Y-29301	SCREW - #10-24 X 1/2	12	12
181	25030-73	LIGHT SWITCH WIRE	1	1
181A	25070-95	LIGHT SWITCH BUTTON	1	1
184	25080-80	BATTERY PACK	1	1
188	Y-12865	SCREW 1/4-20 X 1/2	16	16
190	25020-84	WIRE - LED LIGHT	1	1
193	SP11-25	LID BUMPER	2	2



